

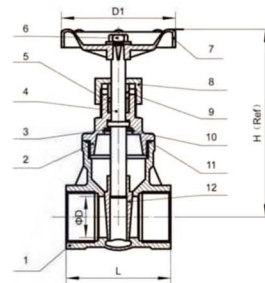
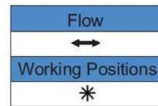
## MODEL : GV -302 | Screw Stainless Steel Gate Valve



Connection: Screw Class 200

### ◆ FEATURES

1. 200PSI/PN16
2. Investment Casting
3. PED97/23/EC(CE0035)Approved
4. Casting Approved AD2000-WO
5. Non-rising stem
6. Thread: ASME B1.20.1  
BS21.DIN2999/259  
ISO228-1,JS B 0203, ISO7/1
7. Inspection Testing: API598, EN12266



### ◆ MATERIAL LIST

ITEM	DESIGNATION	MATERIAL
1	BODY	CF8 / CF8M
2	BONNET	CF8 / CF8M
3	STOP RING	304
4	STEM	304
5	PACKING	PTFE
6	HANDWHEEL NUT	304
7	HAND WHEEL	ALUMINUM ALLOY
8	PACKING NUT	304
9	RING	304
10	LOCK NUT	304
11	GASKET	PTFE
12	DISC	CF8 / CF8M

### ◆ DIMENSIONS (mm)

DN	SIZE	L (mm)	B (mm)	D (mm)	H (mm)
15	1/2	46	11	60	59
20	4/3	52	14	60	66
25	1	65	19	60	70
32	1 1/4	74	25	70	80
40	1 1/2	80	30.5	80	90
50	2	100	38	105	110

### ◆ TECHNICAL SPECIFICATION

1. Nominal Pressure : 1.6 Mpa
2. Working Medium :  
Water, Non-corrosive Liquid, Saturated steam
3. Working Temperature :  $-20^{\circ}\text{C} < t \leq 150^{\circ}\text{C}$
4. Pipe thread conform to ISO 228 (GB/T7307)

## MODEL : GV - THREADED | Union Bonnet Brass Gate Valve

Ends Type: Female NPT, BSP

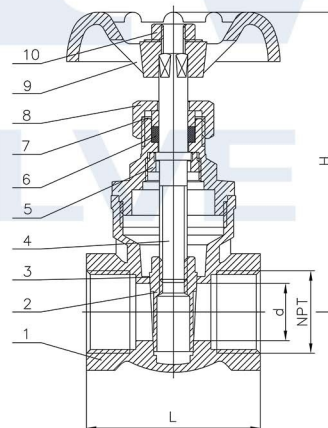
### ◆ DESIGN STANDARD

ASME B16.34, ISO 9001, CE

### ◆ DIMENSION

SIZE	NPT	d	H	L	H
DN15	1/2"	14	42	42	63
DN20	3/4"	17	46	46	68
DN25	1"	22	49	49	75
DN32	1 1/4"	27	53	53	88
DN40	1 1/2"	31	56	56	98
DN50	2"	40	65	65	107

### ◆ STRUCTURE



### ◆ TECHNICAL PARAMETERS

Nominal Diameter: 1/2"~4"(DN15~DN100)  
Operating Temperature:  $-10^{\circ}\text{C} \sim 220^{\circ}\text{C}$   
Main Materials: Brass  
Pressure Rating: 200WOG, CL150, PN16  
Ends Standard: ASME B1.20.1, BS21, ISO 7/1  
Application: Sea water, Water, Steam, Oil and Gas

### ◆ APPLICABLE MEDIA :

Water, non-corrosive liquid, saturated steam, etc.

### ◆ APPLICATION FIELDS :

The opening or closing stroke of the valve stem of the stop valve is relatively short, and it has a reliable cut-off function. At the same time, the change of the valve seat opening is in direct proportion to the stroke of the valve disc, which is suitable for flow adjustment. Therefore, this type of valve is very suitable for cutting off or regulating as well as throttling.

ITEM	DESIGNATION	MATERIAL
1	BODY	BRASS
2	GATE	
3	SEAT	
4	STEM	PTFE
5	WASHER	
6	PACKING	BRASS
7	PACKING GLAND	
8	GLAND NUT	STEEL
9	HANDWHEEL	
10	LOCKING NUT	SS304